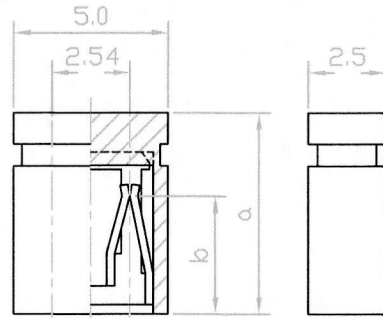
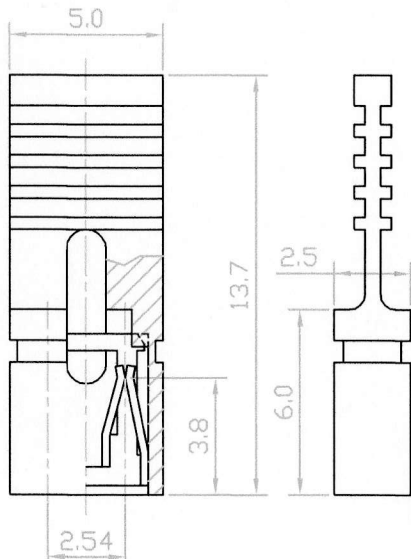


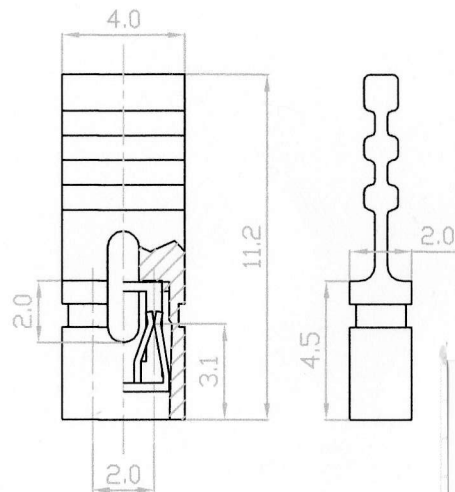
TYPE A



TYPE B



TYPE C



TYPE D

TYPE An

n	a	b
1	4.5	3.0
2	6.0	3.8
3	8.0	4.0

TYPE Bn

n	a	b
1	6.5	3.8
2	8.0	4.0

NOTES:

1. MATERIALS:

HOUSING-- PBT+30% G.F. (UL 94V-0)

TERMINAL-- PHOSPHOR BRONZE.

PLATING GOLD OVER NICKEL.

2. INSERTION FORCE: 1KG MAX.

3. WITHDRAWAL FORCE: 70G MIN.

4. P/N:

GS050A - XX X X - Xn X

CKT SIZE:
02,

HIGHT OF CONTACT:

1. 3.0mm
2. 3.8mm
3. 4.0mm
4. 3.1mm

PLATING:

1. GOLD FLASH.
2. TIN.
- G. RoHS (1.)

COLOR:

1. BLACK
2. BLUE
3. RED
4. YELLOW
5. GREEN

- An. TYPE A (OPEN)
 Bn. TYPE B (CLOSE)
 C . TYPE C
 D . TYPE D (OPEN)