

<b>SANYO</b>	No. 2668A	<b>STK4132II</b>
		<b>2ch AF Power Amplifier (Split Power Supply) 20W + 20W, THD = 1%</b>

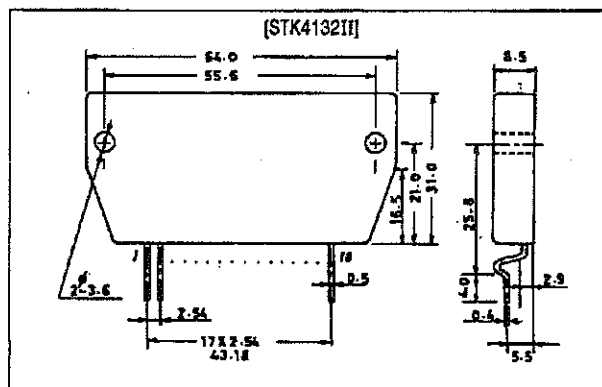
## Features

- Pin compatible with the STK4102II and STK4101V series (high-grade type) over the output range 6 to 50W for easy interchangeability
- Small-sized package with the same pin assignment as the STK4101II series
- Built-in muting circuit to cut off spurious shock noise
- 125°C guaranteed high temperature operation allows greatly reduced heat sink size
- Excellent low-cost performance

## Package Dimensions

unit: mm

4083



## Specifications

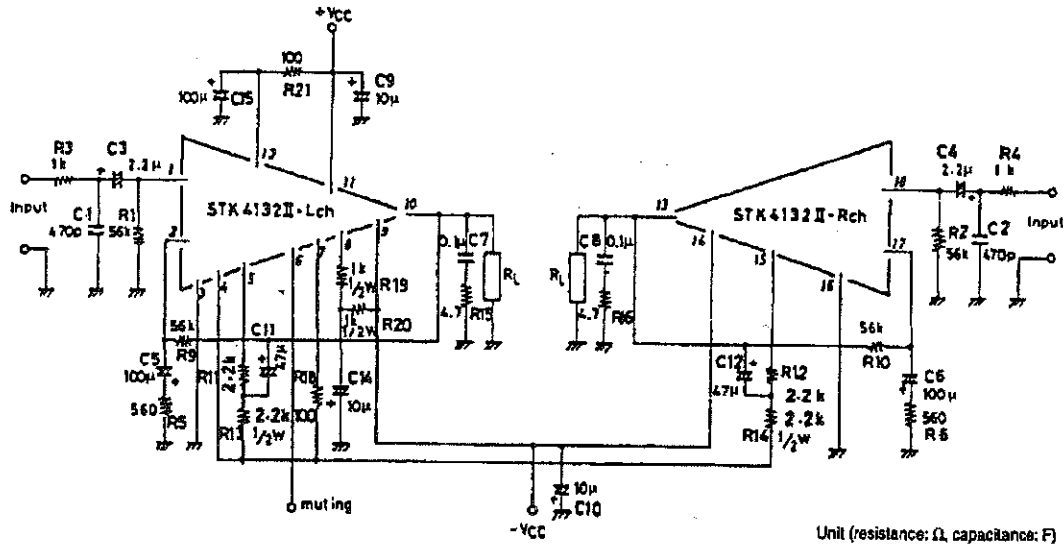
Maximum Ratings at  $T_a = 25^\circ\text{C}$ 

Parameter	Symbol	Conditions	Ratings	Unit
Maximum supply voltage	$V_{CC \text{ max}}$		$\pm 34.5$	V
Thermal resistance	$\theta_{j-c}$		3.0	$^\circ\text{C/W}$
Junction temperature	$T_j$		150	$^\circ\text{C}$
Operating substrate temperature	$T_c$		125	$^\circ\text{C}$
Storage temperature	$T_{stg}$		-30 to +125	$^\circ\text{C}$
Available time for load short-circuit	$t_s$	$V_{CC} = \pm 23\text{V}$ , $R_L = 8\Omega$ , $f = 50\text{Hz}$ , $P_O = 20\text{W}$	2	s

Recommended Operating Conditions at  $T_a = 25^\circ\text{C}$ 

Parameter	Symbol	Conditions	Ratings	Unit
Supply voltage	$V_{CC}$		$\pm 23$	V
Load impedance	$R_L$		8	$\Omega$

External Component Description



Unit (resistance: Ω, capacitance: F)

C1, C2	Input filter capacitors. These, together with R3 and R4, form filters to reduce high-band noise.
C3, C4	Input coupling capacitors. For DC blocking. Since capacitor reactance becomes larger at lower frequencies, the output noise can be adversely affected by signal source resistance-dependent 1/f noise. In this case, a lower reactance value should be chosen. In order to remove pop noise at power-on, larger values of capacitance should be chosen for C3 and C4, which determine the input time constant, and smaller values for C5 and C6 in the NF circuit.
C5, C6	NF capacitors. These determine the low-side cut-off frequency. $f_L = \frac{1}{2\pi \times C5 \times R5} \text{ [Hz]}$ A large value should be chosen for C5 to maintain voltage gain at low frequencies. However, because this would tend to increase the shock noise at power-on, a value larger than absolutely necessary should be avoided.
C15	Decoupling capacitors. This removes shock noise and ripple voltage from the supply.
C11, C12	Bootstrap capacitors. If these capacitors are made small, then the total harmonic distortion at low frequencies increases significantly.
C8, C10	Oscillation prevention capacitors. These should be inserted as close as possible to the IC supply pins to reduce supply impedance and hence provide stable IC operation. Electrolytic capacitors are recommended.
C14	Ripple filter capacitor. This forms a ripple filter in combination with internal transistor TR10.
C7	Oscillation prevention capacitor. Mylar capacitors are recommended for their excellent thermal and frequency characteristics.
R3, R4	Input filter resistors.
R1, R2	Input bias resistors. These are used to bias the input pins at zero potential. The input impedance is largely determined by this resistance.
R5, R9 (R6, R10)	Voltage-gain VG setting resistors. VG = 40dB is recommended using R5, R6 = 560Ω, and R9, R10 = 56kΩ. Gain adjustments are best made using R5 or R6. If gain adjustments are made using R9 or R6, then set R1, R2 = R9, R10 to maintain V <sub>AV</sub> balance stability.
R11, R13 (R12, R14)	Bootstrap resistors. These resistors determine the quiescent current. Values of 2.2kΩ and 2.2kΩ are recommended.
R21	Ripple filter resistor. This resistor performs as predriver transistor limiting resistor during load short circuits.
R18	Clipping plus/minus balance resistor.
R19, R20	Ripple filter resistors. When muting transistor TR11 is on, current flows from ground through TR11 to -V <sub>CC</sub> . Values of 1kΩ (0.5W) and 1kΩ (0.5W) are recommended.
R15, R16	Oscillation prevention resistors.

## STK4132II

**Operating Characteristics** at  $T_a = 25^\circ\text{C}$ ,  $V_{CC} = \pm 23\text{V}$ ,  $R_L = 8\Omega$  (noninductive load),  $R_g = 600\Omega$ ,  $V_G = 40\text{dB}$

Parameter	Symbol	Conditions	min	typ	max	Unit
Quiescent current	$I_{CCO}$	$V_{CC} = \pm 28\text{V}$	20	40	100	mA
Output power	$P_{O(1)}$	THD = 0.4%, $f = 20\text{Hz to } 20\text{kHz}$	20	-	-	W
	$P_{O(2)}$	$V_{CC} = \pm 20\text{V}$ , THD = 1.0%, $R_L = 4\Omega$ , $f = 1\text{kHz}$	20	-	-	W
Total harmonic distortion	THD	$P_O = 1.0\text{W}$ , $f = 1\text{kHz}$	-	-	0.3	%
Frequency response	$f_L, f_H$	$P_O = 1.0\text{W}$ , $-3\text{dB}$	-	20 to 50k	-	Hz
Input impedance	$r_i$	$P_O = 1.0\text{W}$ , $f = 1\text{kHz}$	-	55	-	$k\Omega$
Neutral voltage	$V_N$	$V_{CC} = \pm 50.5\text{V}$	-70	0	+70	mV
Output noise voltage	$V_{NO}$	$V_{CC} = \pm 28\text{V}$ , $R_g = 10k\Omega$	-	-	1.2	mVrms
Muting voltage	$V_M$		-2	-5	-10	V

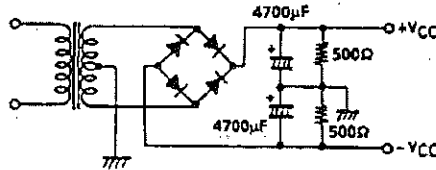
**Notes.**

All tests are measured using a constant-voltage supply unless otherwise specified.

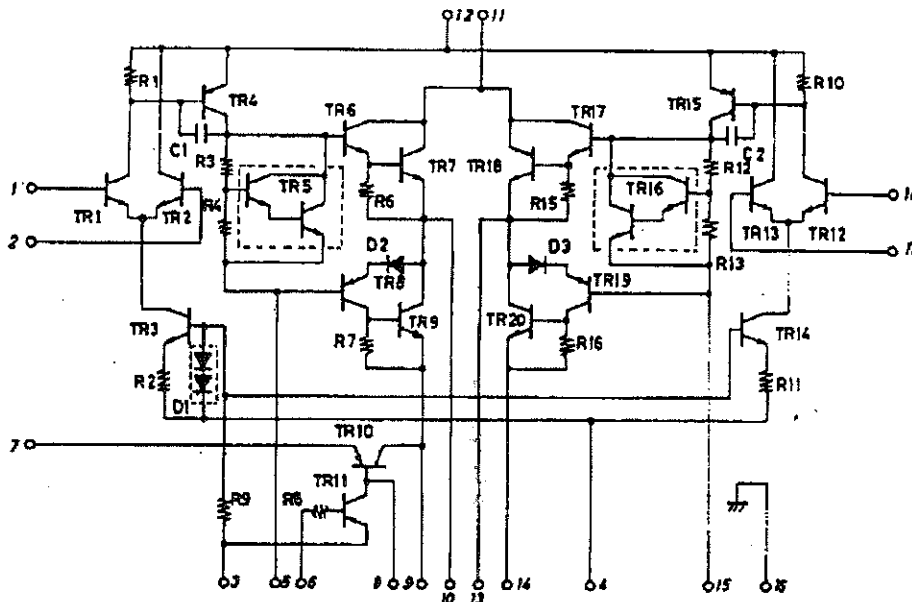
Available time for load short-circuit and output noise voltage are measured using the transformer supply specified below.

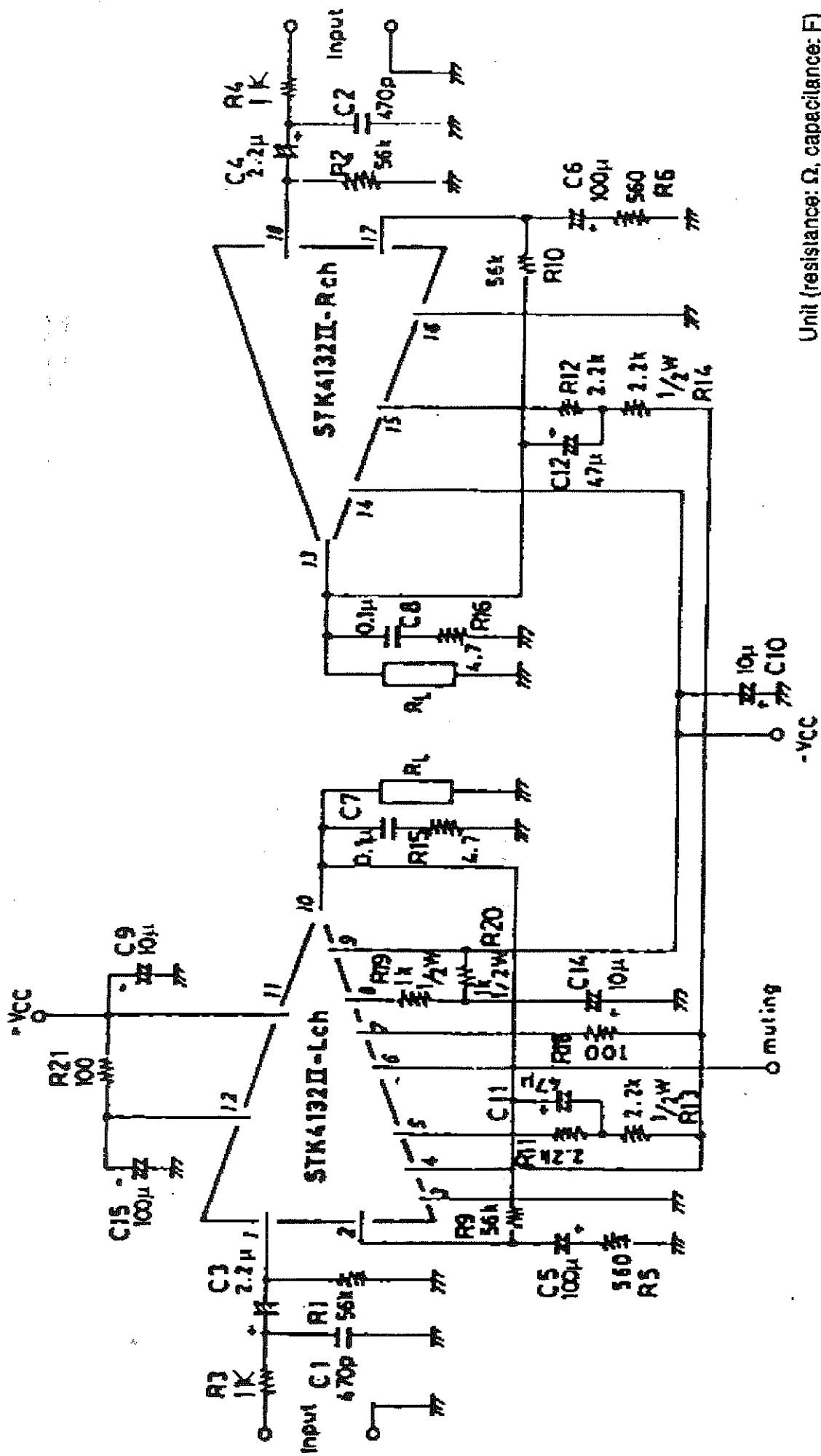
The output noise voltage is the peak value of an average-reading meter with an rms value scale (VTVM). A regulated AC supply (50Hz) should be used to eliminate the effects of AC primary line flicker noise.

### Specified Transformer Supply (RP-25 or Equivalent)



### Equivalent Circuit





Unit (resistance: Ω, capacitance: F)