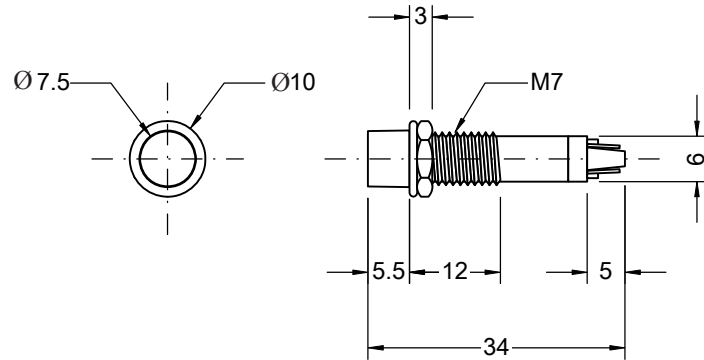


材 質 表

NO.	部品名稱 PART NAME	部品材質 MATERIAL
1	本體 HOUSING	壓克力 ACRYLIC
2	螺母 NUT	青銅 BRONZE
3	華司 WASHER	鐵圈 IRON HOOP
4	底座 HOLDER	尼龍66+玻璃纖維
5	焊片 SOLDER	青銅 BRONZE
6	燈泡 LAMP	4X11+1/4W電阻



MODEL NO.	LAMP COLOR
<input type="checkbox"/> WTN-10-1295/R/120V	RED
<input type="checkbox"/> WTN-10-1295/O/120V	ORANGE
<input type="checkbox"/> WTN-10-1295/G/120V	GREEN
<input type="checkbox"/> WTN-10-1295/R/220V	RED
<input type="checkbox"/> WTN-10-1295/O/220V	ORANGE
<input type="checkbox"/> WTN-10-1295/G/220V	GREEN
<input type="checkbox"/> WTN-10-1295L/R/6V	RED
<input type="checkbox"/> WTN-10-1295L/Y/6V	YELLOW
<input type="checkbox"/> WTN-10-1295L/G/6V	GREEN
<input type="checkbox"/> WTN-10-1295L/R/12V	RED
<input type="checkbox"/> WTN-10-1295L/Y/12V	YELLOW
<input type="checkbox"/> WTN-10-1295L/G/12V	GREEN
<input type="checkbox"/> WTN-10-1295L/R/24V	RED
<input type="checkbox"/> WTN-10-1295L/Y/24V	YELLOW
<input type="checkbox"/> WTN-10-1295L/G/24V	GREEN
<input type="checkbox"/> WTN-10-1295P/R/6V	RED
<input type="checkbox"/> WTN-10-1295P/O/6V	ORANGE
<input type="checkbox"/> WTN-10-1295P/G/6V	GREEN
<input type="checkbox"/> WTN-10-1295P/R/12V	RED
<input type="checkbox"/> WTN-10-1295P/O/12V	ORANGE
<input type="checkbox"/> WTN-10-1295P/G/12V	GREEN
<input type="checkbox"/> WTN-10-1295P/R/24V	RED
<input type="checkbox"/> WTN-10-1295P/O/24V	ORANGE
<input type="checkbox"/> WTN-10-1295P/G/24V	GREEN

品名 TITLE	INDICATOR LIGHT N-814	單位 DIMENSION UNIT	mm
型號 MODEL NO.	WTN-10-1295 SERIES	比例 SCALE	1 : 1