

USB CONNECTOR

■ FEATURES

Both USB A type and B type are USB 1.0 and USB 2.0 approval
Raised design provides easy insertion and withdrawal, and guarantee even high reliability
Design of three certain restrains provides robustious structure
Gold plated contact ensure low contact resistance
All plastics are UL 94V-0 grade fire retardant
Up to 5 meters per cable segment
To make sure your connections are perfect every time

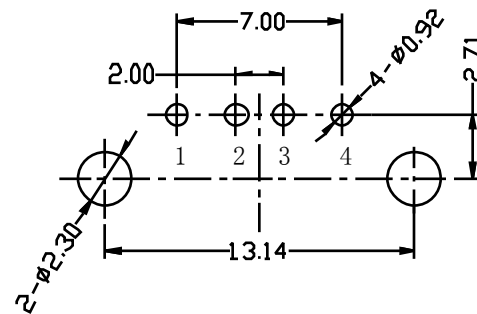
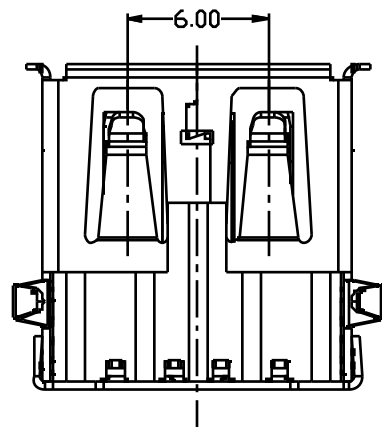
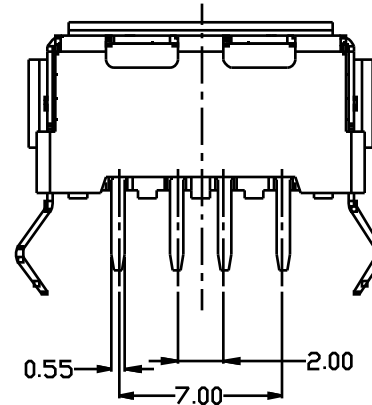
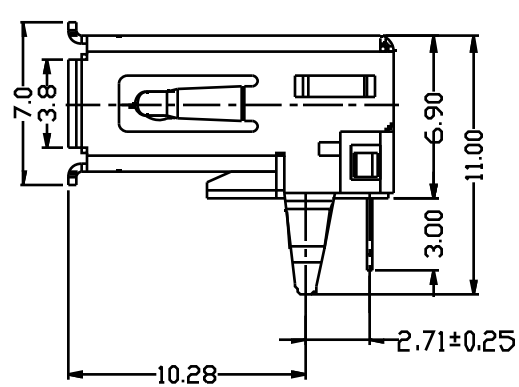
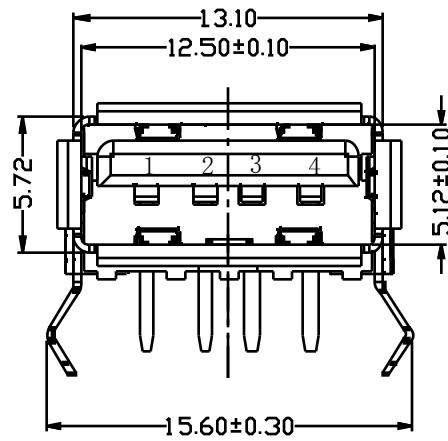
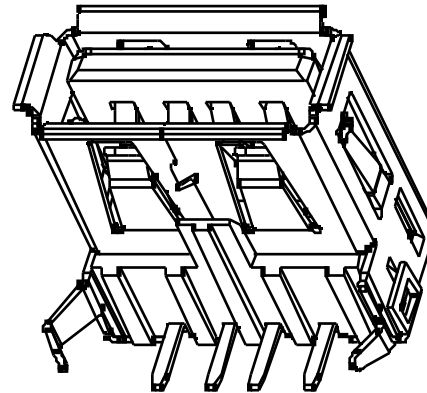
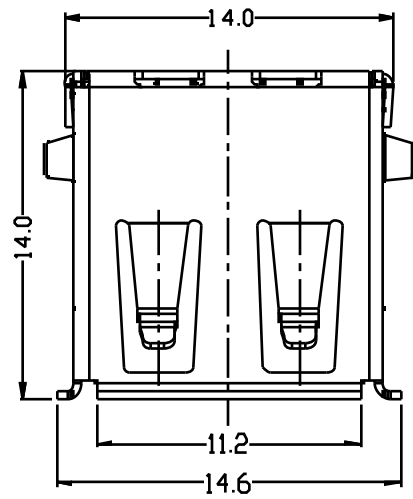
■ APPLICATIONS

PCs peripheral equipment (modem, scanner, HDTV, Printer, phone/answering, keyboard, Mouse, game controller, digital audio)

■ SPECIFICATIONS

ELECTRICAL	
Voltage rating	30 VAC (rms) Max
Current rating	USB 1.0:1.5 Amp Max USB 2.0:2.5 Amp Max
Contact resistance	30 mΩ Max.
Insulation resistance	1000 MΩ Min.
Dielectric strength	500 VAC Min.
MECHANICAL	
Durability	1500 cycles
Mating force	35N Max.
Unmating force	10N Min.
Temperature :	-55°C to + 85°C
ENVIRONMENTAL	

VER.	DATE	MOD. NO.	DESCRIPTION	DRA.	CHE.	APP.



RECOMMEND P. C. B. LAYOUT
TOLERANCE ±0.05

NOTES:

1. MATERIAL SPECIFICATION:

- 1) INSULATION MATERIAL:SEE PART NO.
- 2) SHELL: SPCC-SD
PLATING: NICKEL
- 3) TERMINAL: COPPER ALLOY
PLATING: GOLD/TIN PLATED;

2. ELECTRICAL CHARACTERISTIC:

- 1) **INSULATION RESISTANCE: 1000MΩ MIN;**
- 2) **CONTACT RESISTANCE: 30mΩ MAX;**
- 3) WITHSTANDING VOLTAGE: 500V AC;

3. MECHANICAL CHARACTERISTICS:

- 1) INSERTION FORCE:3.57Kgf Max;
- 2) EXTRACTION FORCE:1.02Kgf Min;

TABLE 1

	CONTACT AREA	TERMINAL AREA
PLATING	GOLD OVER NICKEL	Sn OVER NICKEL

3	SHELL	1	SPCC	OVER NICKEL	
2	INSULATOR	1	THERMOPLASTIC HIGH-TEMP	—	UL 94V-0
1	CONNECTOR	4	COPPER ALLOY	TABLE 1	
NO.	Description	Quantity	Material	Finish	Remark

GENERAL TOLERANCE x — x.x ± 0.2 x.xx ± 0.1 ANGLE ± 3'	DATE	2013 10.16	UNIT	mm	DRAWER	Cheney	DRAWING NO. 838011U0110	
	SCALE	3:1			CHECKER			
	REFERENCE				APPROVER			
			FRAME	A3	VERSION	0	SH.	1 OF 1

