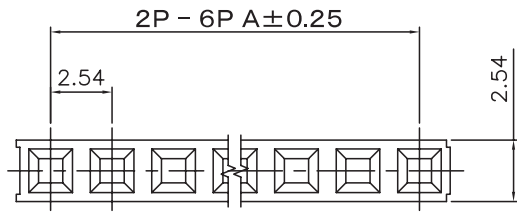
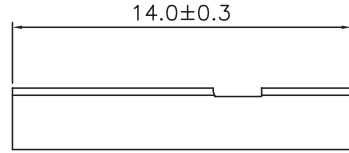


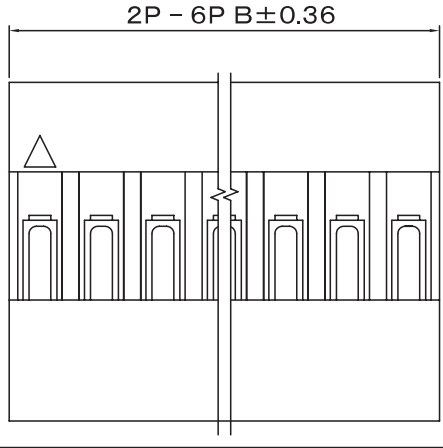
QI-1~6 (Single row)



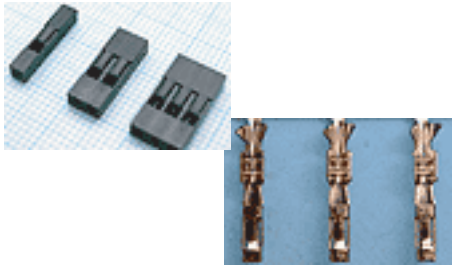
2.54



14.0 ± 0.3



2P - 6P B ± 0.36



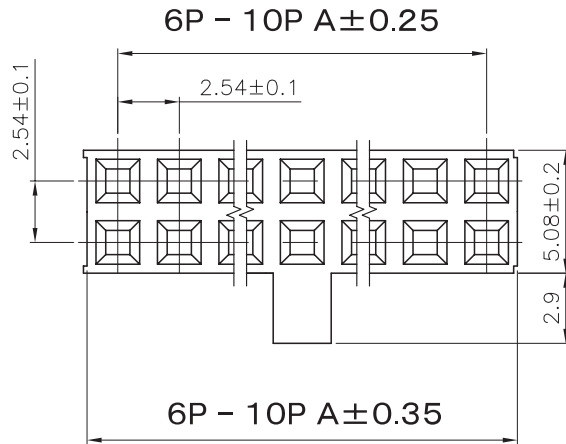
■ SPECIFICATIONS

- Voltage Rating : 250 V AC/DC
- Current Rating : 3A AC/DC
- Withstanding Voltage : 1000V AC/minute
- Insulation Resistance : 1000MΩ min
- Temperature Range : - 20°C to + 85°C
- Contact Resistance : 20mΩ max

Poles	Part No.	Dimensions(mm)	
		A	B
1	QI-1	-	2.74
2	QI-2	2.54	5.28
3	QI-3	5.08	7.82
4	QI-4	7.62	10.36
5	QI-5	10.16	12.90
6	QI-6	12.70	15.44

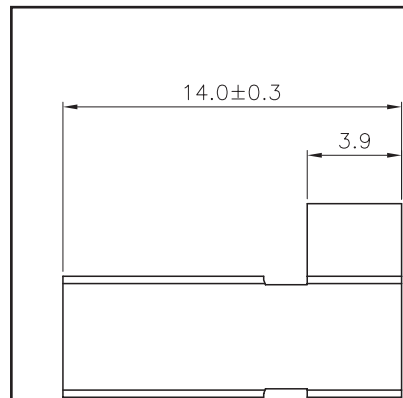
Poles	Part No.	Dimensions(mm)	
		A	B
6	QII-6	5.08	7.62
8	QII-8	7.62	10.12
10	QII-10	10.12	12.70

QII-6~10 (Double row)



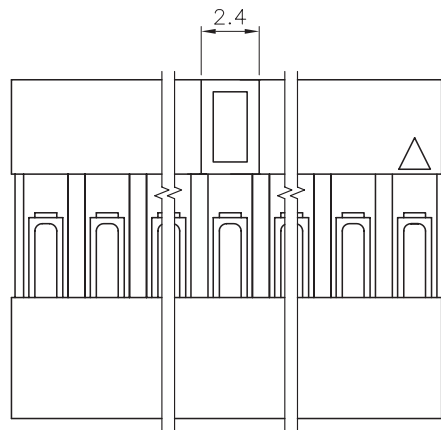
2.54 ± 0.1

6P - 10P A ± 0.35



14.0 ± 0.3

3.9

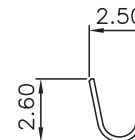
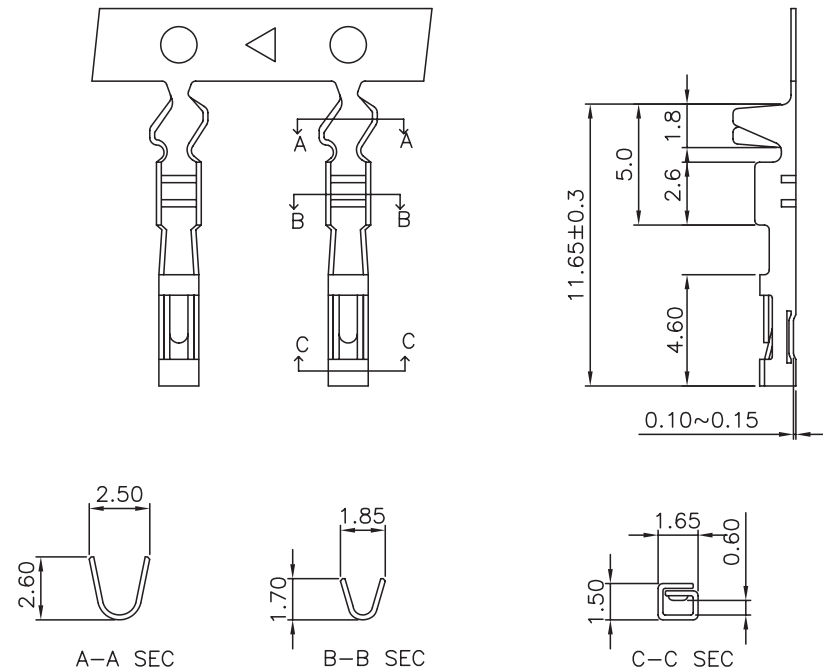


2.4

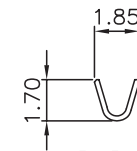
QIコネクタシリーズ KYORITSU

第2版

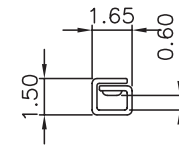
QI-ZU (Contact pin)



A-A SEC



B-B SEC



C-C SEC