



RODAN(TAIWAN)LTD.

VISIBLE LED

1.ELEMENT APPEARANCE

PAGE : 1 / 3

Model No.	Material	Lighting Color	Resin Color
RT5-6387K6T	GaInN/ITO	Blue	Water Clear

2.ABSOLUTE MAXIMUM RATINGS AT Ta=25

Characteristic	Symbol	Rating	Unit
Forward direct current	IFM	25	mA
Reverse voltage	VRM	4	V
Operating temperature	Topr	-40 to +85	
Storage temperature	Tstg	-40 to +100	
Power dissipation	Pd	100	mW
Lead soldering temperature (5mm from body) 260 for 5sec.			

3.ELECTRO-OPTICAL CHARACTERISTICS AT Ta=25

Characteristic	Symbol	Condition	Min.	Typ.	Max.	Unit
Luminous intensity	Iv	IF= 20 mA	2100	3500		mcd
Forward voltage	VF	IF= 20 mA		3.3	4.0	V
Reverse current	IR	VR=4V			10	μ A
Peak emission wavelength	p	IF=20mA		-		nm
Dominant wavelength	d	IF=20mA		470		nm
Spectral line half width		IF=20mA		30		nm
Viewing angle	2 1/2	IF=20mA		15		deg.

Luminous Intensity Measurement allowance is $\pm 15\%$

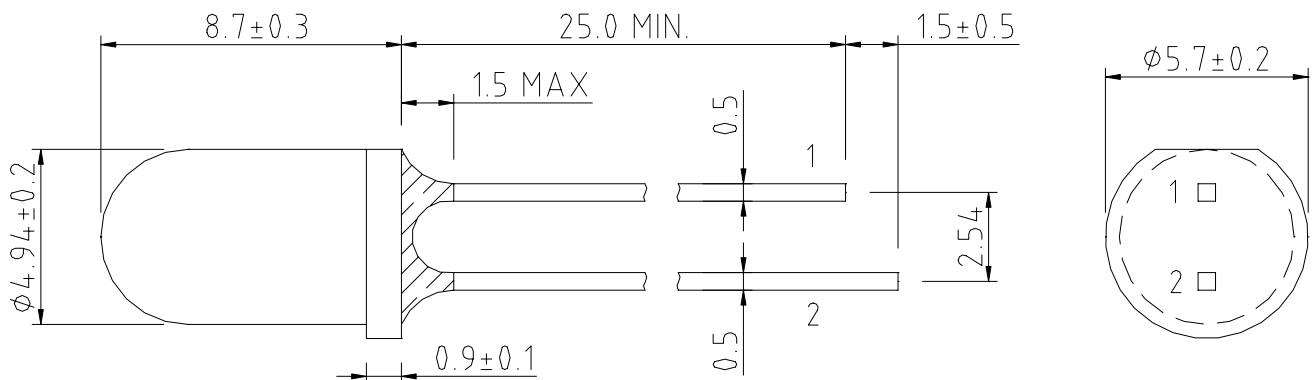
Forward voltage Measurement allowance is $\pm 0.05V$

Emission wavelength Measurement allowance is $\pm 1nm$

4.DIMENSIONS UNIT : m/m

SIGN : 1.CATHODE

2.ANODE

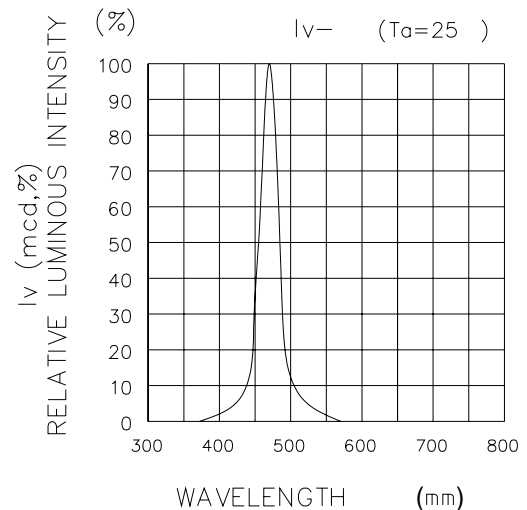
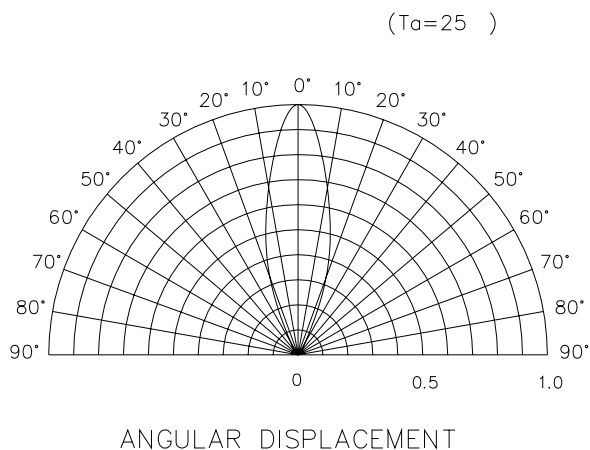
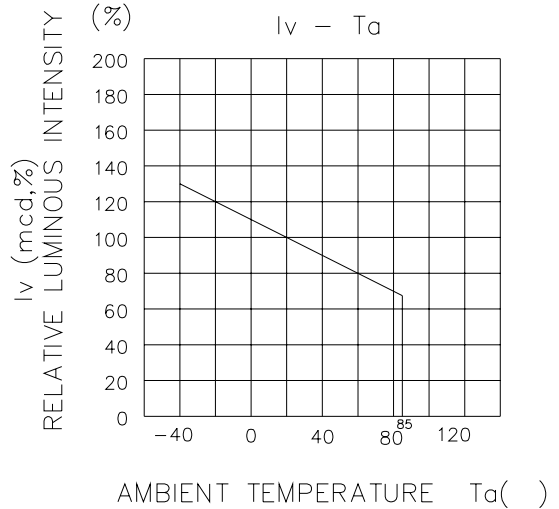
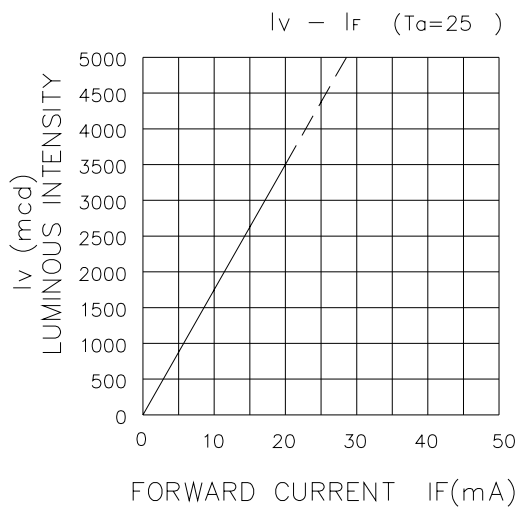
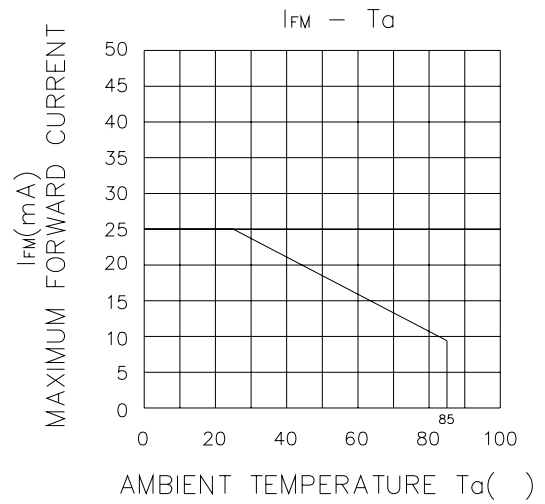
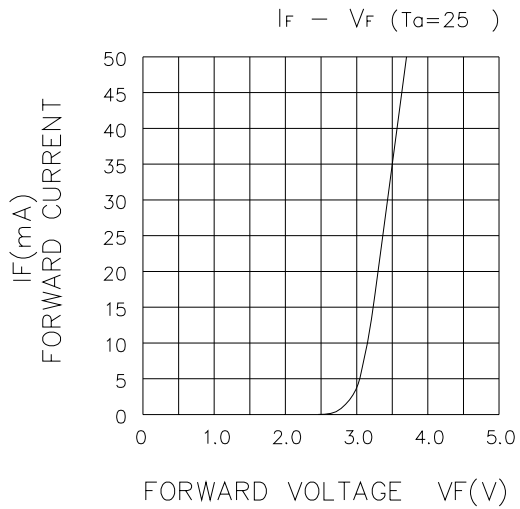




RODAN(TAIWAN)LTD.

Model : RT5-6387K6T

PAGE : 2 / 3





Reliability Test Items

CONDITIONS :

The reliability of products shall be satisfied with items listed below.

NO.	<u>Item</u>	<u>Condition</u>	<u>Time/Cycle</u>	<u>Number of Damaged</u>
1	Soldering Heat Test	260	5 sec	0/60
2	Thermal Shock	0 (15sec) ~100 (15sec)	20 cycle	0/60
3	High Temp. Storage	100	1000 Hrs	0/60
4	Low Temp. Storage	-25	1000 Hrs	0/60
5	Operation Temperature Cycle Test	-25 ~75	100 Cycles , 200Hrs	0/60
6	High Temp. High Humidity Test	60 , 90% RH	1000Hrs	0/60
7	Operation Life Test	Room Temp.160mA, duty cycle 1/8 , pulse width 1ms	1000Hrs	0/60