

Model No.	OBD3-XXXX8B31F
REV.	Ver.4

DC 0.8-1.8V E10 Screw LED

Descriptions:

- Long life, easy installation
- Voltages available in **DC 0.8~1.8V**
- LED model number: OSXXXX8B31F

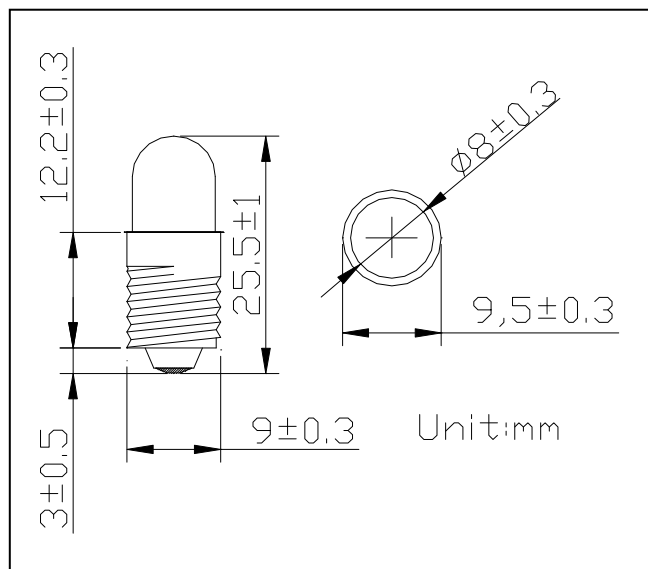
Features:

- Available in Red , Yellow ,Pure Green , Blue , White, Warm White etc
- High temperature and environmental protection PA material for lamp holder
- Low power consumption
- Energy saving
- Eye protection, no stroboflash, no radiation
- Long life

Application:

- Dashboard Light
- Width-indicator Lamp
- Signal Light

Product Picture and Dimensions:



Model No.	OBD3-XXXX8B31F
REV.	Ver.4

Device Selection Guide

Module No.	Color	Wavelength (Typ.)	Intensity / Per LED (Typ.)
W5DK8B31F	White	X=0.27,y=0.28	25000mcd
M5DK8B31F	Warm White	X=0.44,y=0.41	14400mcd
B5SA8B31F	Blue	470nm	8000mcd
5RPM8B31F	Red	625nm	15000mcd
5YPM8B31F	Yellow	590nm	15000mcd
G5DA8B31F	Pure Green	525nm	25000mcd

Absolute Maximum Ratings(Ta=25°C)

Items	Symbol	Values	Units
Operating Supply Range (DC)	V _{idc}	1.8	V
Input Current (DC)	I _i	Red ,Yellow	145
		Pure White, Warm White, Blue, Pure Green	120
Power Dissipation	P _a	Red ,Yellow	0.26
		Pure White,Warm White, Blue, Pure Green	0.22
Operating Temperature	T _{ope}	-10~+50	DegC
Storage Temperature	T _{stg}	-20~+70	DegC

Typical Performance (Ta=25°C)

Items	Symbol	Min.	Typ.	Max.	Units	
LED Module Power	P _m	Red ,Yellow	0.12		w	
		Pure White,Warm White , Blue, Pure Green	0.08			
Input Voltage(DC)	V _i	0.8	1.2	1.8	V	
Product Input Current	I _f	Red ,Yellow	25	100	145	mA
		Pure White, Warm White , Blue, Pure Green	25	65	120	
Beam Pattern	BP		30		Deg	
Net Weight	Wei.		1.7		g	