



**PARA LIGHT ELECTRONICS CO., LTD.**

4F, No.1, Lane 93, Chien Yi Road, Chung Ho City, Taipei, Taiwan, R.O.C.

Tel: 886-2-2225-3733

Fax: 886-2-2225-4800

E-mail: [para@para.com.tw](mailto:para@para.com.tw)

<http://www.para.com.tw>

DATA SHEET

PART NO. : L-519LBHURC

REV : A / 0

CUSTOMER'S APPROVAL : \_\_\_\_\_

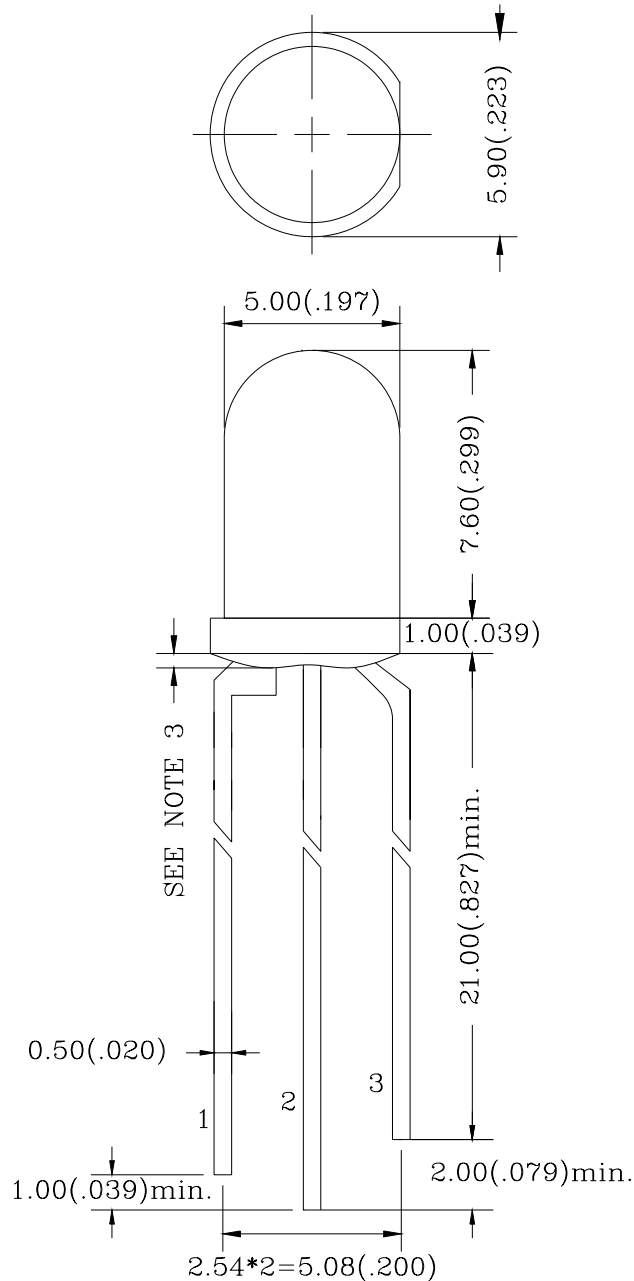
DCC : \_\_\_\_\_

DRAWING NO. : DS-35-03-0235

DATE : 2003-04-18

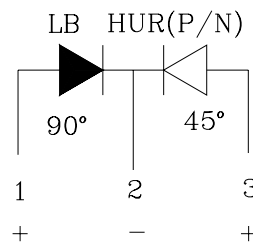
Page : 1

PACKAGE DIMENSIONS



Note:

1. All Dimensions are in millimeters.
2. Tolerance is  $\pm 0.25\text{mm}$  (0.010 ") Unless otherwise specified.
3. Protruded resin under flange is 1.5mm (0.059 ") max.
4. Lead spacing is measured where the leads emerge from the package.
5. Specification are subject to change without notice



**FEATURES**

- \* 5.0mm DIA LED LAMP.
- \* LOW POWER CONSUMPTION.
- \* I.C. COMPATIBLE.
- \* TWO CHIPS ARE MATCHED FOR UNIFORM LIGHT OUTPUT.
- \* LONG LIFE SOLID STATE RELIABILITY.

**CHIP MATERIALS**

- \* Dice Material : GaInN/GaN&GaAlInP/GaAs
- \* Light Color : MULTICOLOR(ULTRA BLUE&ULTRA RED)
- \* Lens Color : WATER CLEAR

**ABSOLUTE MAXIMUM RATING:(Ta=25°C)**

SYMBOL	DESCRIPTION	ULTRA BLUE	ULTRA RED	UNIT
PD	Power Dissipation	120	75	mW
VR	Reverse Voltage	5	5	V
IF	Average Forward Current	30	30	mA
IPF	Peak Forward Current (Duty=0.1,1KHZ)	70	60	mA
-	Derating Linear From 25°C	0.4	0.4	mA/°C
Topr	Operating Temperature Range	-25°C to 85°C		
Tstg	Storage Temperature Range	-40°C to 85°C		
Lead Soldering Temperature { 1.6mm(0.063 inch) From Body } 250°C±5°C For 3 Seconds				

**ELECTRO-OPTICAL CHARACTERISTICS:(Ta=25°C)**

SYMBOL	PARAMETER	TEST CONDITION	MIN.	TYP.	MAX.	UNIT	
VF	Forward Voltage	IF=20mA	Ultra Blue		3.5	4.0	V
			Ultra Red		2.0	2.5	V
IR	Reverse Current	VR=5V	Ultra Blue			100	µA
			Ultra Red			100	µA
λD	Dominant Wavelength	IF=20mA	Ultra Blue		470		nm
			Ultra Red		633		nm
Δλ	Spectral Line Half-Width	IF=20mA	Ultra Blue		30		nm
			Ultra Red		20		nm
2θ1/2	Half Intensity Angle	IF=20mA	Ultra Blue		20		deg
			Ultra Red		20		deg
IV	Luminous Intensity	IF=20mA	Ultra Blue		1200		mcd
			Ultra Red		750		mcd

